



COPYRIGHT NOTICE

Copyright 2020. All right reserved. No part of this manual may be copied, transmitted, transcribed, stored in a retrieval system, in any form or by any means without expressed written permission of,

Dansons

3411 North 5th Avenue, Suite 500, Phoenix, AZ, USA 85013
 sales@pitboss-grills.com | service@pitboss-grills.com
www.pitboss-grills.com

Customer Service

Monday through Sunday, 4am - 8pm PST (EN/FR/ES)
Toll-Free: 1-877-303-3134, Fax: 1-877-303-3135

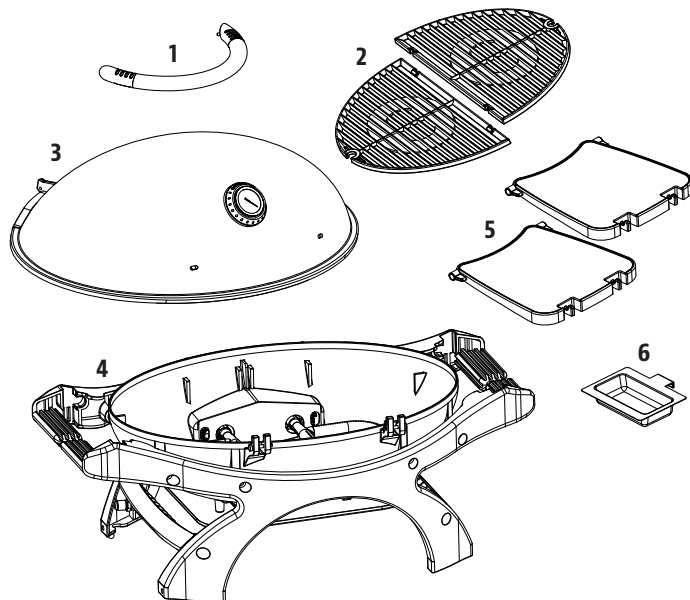
TABLE OF CONTENTS

Parts & Specs..... 2
 Assembly Preparation..... 3
 Assembly Instructions
 Installing The Lid Handle..... 3
 Mounting The Lid To The Body 3
 Installing The Side Shelves..... 4
 Placing The Grease Tray..... 4
 Installing The Cooking Grids..... 4

PARTS & SPECS

Part#	Description
1	Lid Handle (x1)
2	Cooking Grid (x2)
3	Lid (x1)
4	Body (x1)
5	Side Shelf (x2)
6	Grease Tray (x1)

NOTE: Due to ongoing product development, parts are subject to change without notice. Contact Customer Service if parts are missing when assembling the unit.



MODEL	ASSEMBLED (WxDxH)	WEIGHT	COOKING AREA	HEAT INPUT
PB PB2BPGG	1,175 X 578 X 461 MM / 46.2 X 22.7 X 18.1 IN	18.0 KG / 39.68 LB	1,946 CM ² / 301.6 IN ²	5.2 KW

ASSEMBLY PREPARATION

Parts are located throughout the shipping carton, including underneath the grill. Inspect the grill, parts, and hardware blister pack after removing from the protective shipping carton. Discard all packaging materials from inside and outside of the grill before assembly, then review and inspect all parts by referencing the parts list. If any part is missing or damaged, do not attempt to assemble. Shipping damage is not covered under warranty. Contact your dealer or Pit Boss® Customer Service for parts: Monday through Sunday, 4am - 8pm PST (EN/FR/ES).

service@pitboss-grills.com | TOLL-FREE: 1-877-303-3134 | TOLL-FREE FAX: 1-877-303-3135

IMPORTANT: To ease installation, using two people is helpful (but not necessary) when assembling this unit.

ASSEMBLY INSTRUCTIONS

IMPORTANT: It is advised to read each step entirely before starting assembly on instructions.

1. INSTALLING THE LID HANDLE

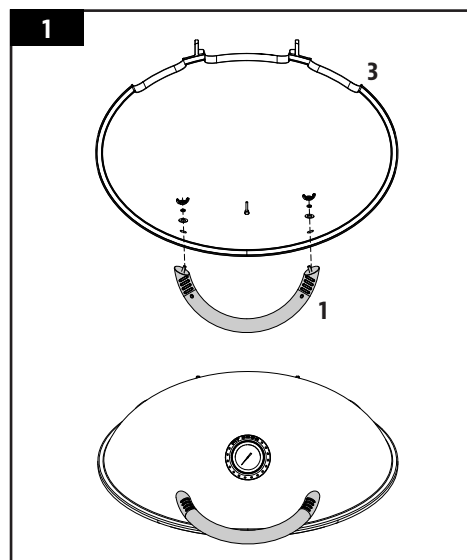
Parts Required:

- 1 x Lid Handle (#1)
- 1 x Lid (#3)

Installation:

- First, remove the pre-installed hardware from the Lid Handle.
- Place the Lid Handle into the two holes on the thermometer-side of the Lid. From the inside of the Lid, fasten the Lid Handle with the previously removed hardware: place the washer, locking washer, then lock with the wing-nut. Repeat for other end of Lid Handle.

NOTE: Do not over-tighten the wing-nuts. Only a snug fit is necessary.



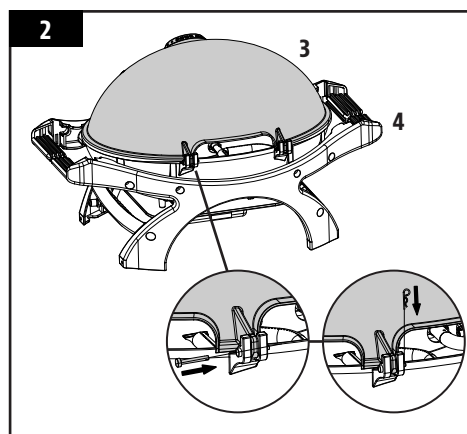
2. MOUNTING THE LID TO THE BODY

Parts Required:

- 1 x Lid (#3)
- 1 x Body (#4)

Installation:

- First, remove the pre-installed Axle Pin and Cotter Pin from the hinge brackets on the Body.
- Next, lift and carefully place the Lid onto the Body, aligning the hinge brackets into each other. Anchor both hinge brackets by inserting the previously removed Axle Pins and securing each with an Cotter Pin.



3. INSTALLING THE SIDE SHELVES

Parts Required:

2 x Side Shelf (#5)

Installation:

- Install each Side Shelf into the side shelf brackets on either side of the body frame.

NOTE: Insert the corner pins of the mounting side of the shelf into the brackets at an upward angle, then tilt downward.

4. PLACING THE GREASE TRAY

Parts Required:

1 x Grease Tray (#6)

Installation:

- On the back of the unit, place the Grease Tray into the Grease Tray brackets, as shown in the illustration.

NOTE: The Grease Tray has an aluminum foil lining for easy cleaning after cooking. Check regularly and replace the aluminum foil liner if necessary.

5. INSTALLING THE COOKING GRIDS

Parts Required:

2 x Cooking Grid (#2)

Installation:

- Place the Cooking Grids, side by side, on the grid ledges inside the Body of the grill.
- The unit is now completely assembled.

Refer to Owner's Manual for Operating Instructions.

